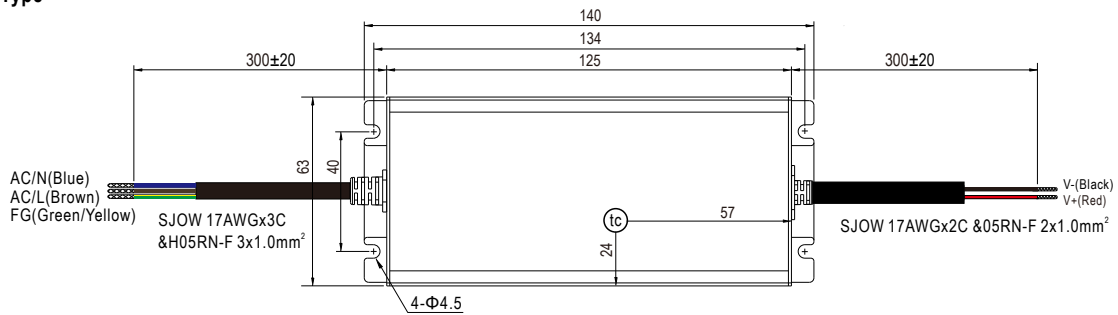


MECHANICAL SPECIFICATION

Case No.: 275A Unit:mm

※ A-Type



• (tc) : Max. Case Temperature

