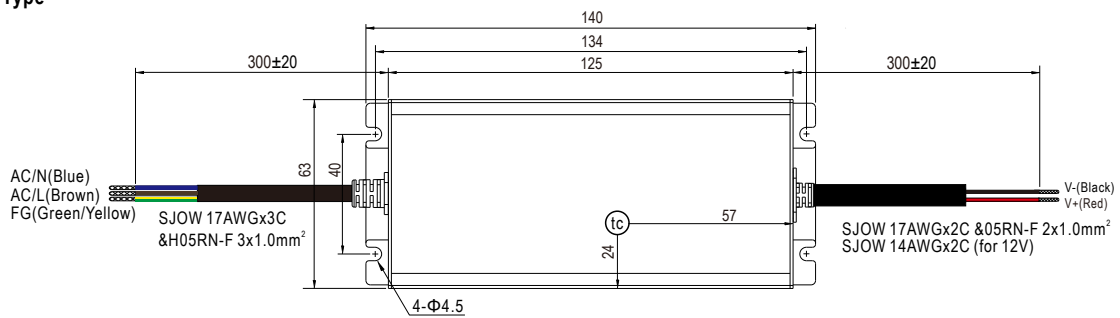


MECHANICAL SPECIFICATION

Case No.:275B Unit:mm

※ A-Type



• (tc) : Max. Case Temperature

