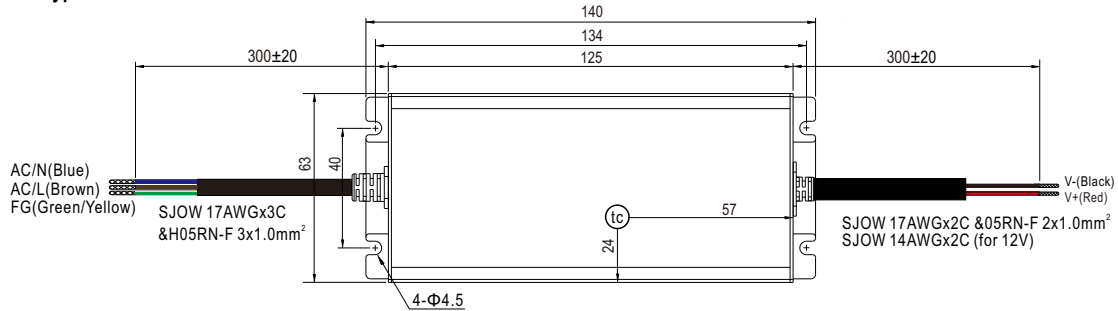


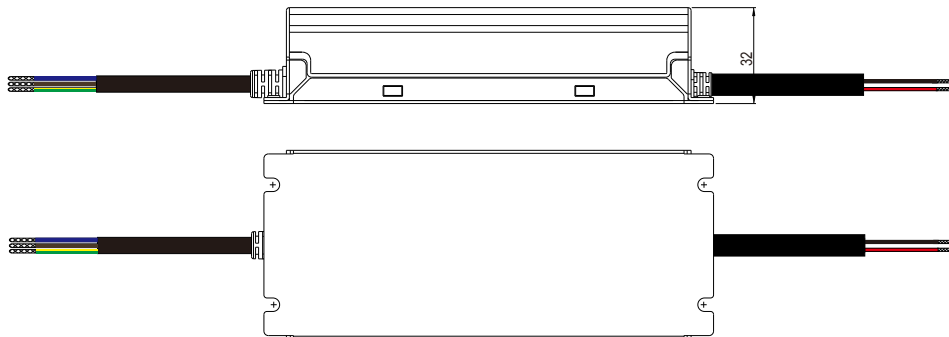
MECHANICAL SPECIFICATION

Case No.:275B Unit:mm

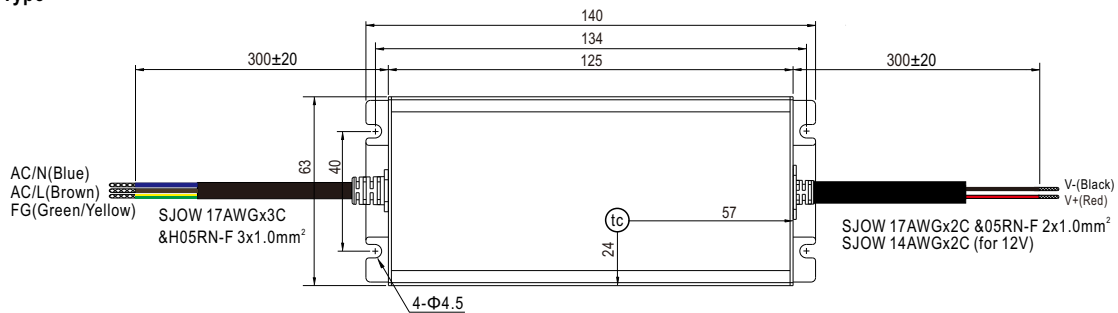
※ Blank-Type



• (tc) : Max. Case Temperature



※ A-Type



• (tc) : Max. Case Temperature

